



US00D940136S

(12) **United States Design Patent**
Sakaguchi et al.

(10) **Patent No.:** **US D940,136 S**
(45) **Date of Patent:** **** Jan. 4, 2022**

(54) **PORTABLE ELECTRONIC DEVICE**

- (71) Applicant: **SomniQ, Inc.**, Sunnyvale, CA (US)
- (72) Inventors: **Rikko Sakaguchi**, Sunnyvale, CA (US);
Ken Yano, Tokyo (JP)
- (73) Assignee: **SomniQ, Inc.**, Sunnyvale, CA (US)
- (**) Term: **15 Years**
- (21) Appl. No.: **29/709,834**
- (22) Filed: **Oct. 17, 2019**

Related U.S. Application Data

- (60) Continuation of application No. 29/631,425, filed on Dec. 29, 2017, now Pat. No. Des. 864,961, which is
(Continued)
- (51) **LOC (13) Cl.** **14-02**
- (52) **U.S. Cl.**
USPC **D14/388**; D14/218
- (58) **Field of Classification Search**
USPC D14/356, 357, 358, 361, 362, 365, 367,
D14/370, 388, 432, 434, 203.1, 203.6,
D14/204, 205, 216, 217, 218, 240, 242,
D14/299, 125, 129, 130, 140, 155, 168,
D14/188, 195, 300, 302, 314, 348, 351,
D14/496, 399-401, 412-416, 454-457,
(Continued)

(56) **References Cited**

U.S. PATENT DOCUMENTS

- D221,818 S 9/1971 Chardack
- D230,608 S * 3/1974 Winston D14/202
(Continued)

FOREIGN PATENT DOCUMENTS

- JP S59132718 7/1984
- JP H11232012 8/1999

(Continued)

OTHER PUBLICATIONS

WiFi Smart IR Hub _ IR Controller. (online) 10 pgs. Available Dec. 12, 2018. [Retrieved Aug. 18, 2021] <https://www.amazon.com/dp/B07L9VV9N8?tag=sse-2-20&linkCode=ogi&th=1&psc=1>.*

(Continued)

Primary Examiner — Marie D. Fast Horse

(74) *Attorney, Agent, or Firm* — Dorsey & Whitney LLP

(57) **CLAIM**

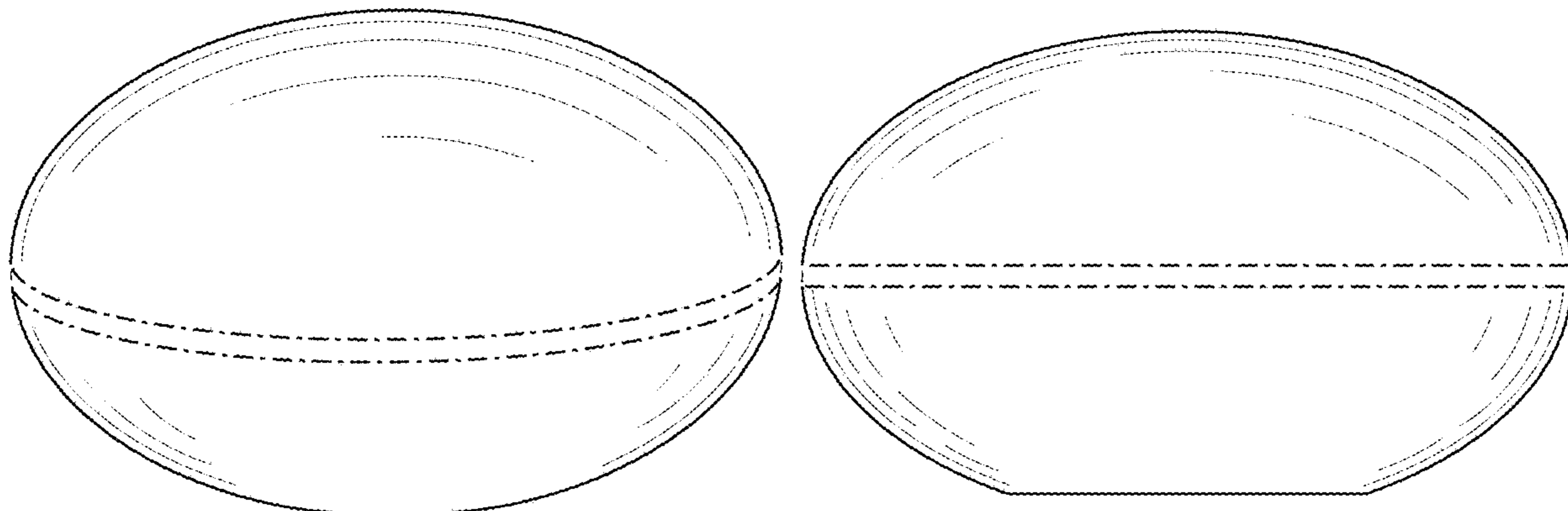
The ornamental design for a portable electronic device, as shown and described.

DESCRIPTION

FIG. 1 is an isometric view of a portable electronic device; FIG. 2 is a front view of the portable electronic device in FIG. 1; FIG. 3 is a left side view of the portable electronic device in FIG. 1; FIG. 4 is a right side view of the portable electronic device in FIG. 1; FIG. 5 is a back view of the portable electronic device in FIG. 1; FIG. 6 is a top view of the portable electronic device in FIG. 1; and, FIG. 7 is a bottom view of the portable electronic device in FIG. 1.

The broken lines shown in the figures that are immediately adjacent to the shaded areas and define unshaded regions represent the bounds of the claim. All other broken lines, including the features within broken line boundaries are directed to environment. The broken lines form no part of the claimed design.

1 Claim, 4 Drawing Sheets



Related U.S. Application Data

a division of application No. 29/548,309, filed on Dec. 11, 2015, now Pat. No. Des. 806,711.

(58) **Field of Classification Search**

USPC D14/172; D13/103, 107, 108, 123, 162, D13/162.1, 163, 168, 184, 199; D10/104.1, 106.6, 116.1, 61, 62, 64, 65, D10/75; D21/324, 332, 333; D24/167, D24/168, 186; D28/8.1, 8.2, 82; D3/229, 273; D9/545, 549, 428
 CPC ... G06F 3/00; G06F 3/01; G06F 3/011; G06F 3/012; G06F 3/013; G06F 3/015; G06F 3/016; G06F 3/017; G06F 3/0304; G06F 3/0346; G06F 3/041; G06F 3/16; G06F 3/0202; G06F 1/1694; G06F 2203/0384; G08B 21/00

See application file for complete search history.

(56) **References Cited**

U.S. PATENT DOCUMENTS

D249,091 S 8/1978 Burtis
 D262,464 S 12/1981 Vernon, Jr.
 D286,124 S 10/1986 Dempsey
 D297,328 S 8/1988 Nozo et al.
 4,804,945 A 2/1989 Millet
 D303,356 S 9/1989 Couch
 D324,106 S 2/1992 Greenblatt
 D325,582 S 4/1992 Emmons et al.
 D327,690 S 7/1992 Ogawa et al.
 D331,060 S 11/1992 Emmons et al.
 5,243,430 A 9/1993 Emmons
 D339,986 S 10/1993 Garouste et al.
 D345,507 S 3/1994 Granai
 D363,569 S 10/1995 Lai
 D371,793 S * 7/1996 Patton D14/218
 D382,255 S 8/1997 Moffatt
 D382,261 S 8/1997 Kaneko et al.
 D396,852 S 8/1998 Chao
 D408,285 S 4/1999 Favre
 D408,590 S 4/1999 Litton
 D414,190 S 9/1999 Pinchuk
 D418,125 S 12/1999 Jobs et al.
 D430,358 S 8/2000 Papiernik
 D433,994 S 11/2000 Jobs et al.
 D443,726 S 6/2001 Faillant-Dumas
 D443,727 S 6/2001 Faillant-Dumas
 D463,991 S 10/2002 Curry et al.
 D465,469 S 11/2002 Heath
 D465,733 S 11/2002 Hill
 D467,037 S 12/2002 Bakic
 6,558,165 B1 5/2003 Curry
 D479,366 S 9/2003 Goswell
 D480,396 S 10/2003 Buckner
 D489,706 S 5/2004 Chen
 D494,633 S 8/2004 Nussberger et al.
 D496,004 S 9/2004 Borsboom
 D503,692 S 4/2005 Basta
 D514,122 S * 1/2006 Rodarte D14/203.6
 D518,030 S 3/2006 Lin
 D518,819 S 4/2006 Gray
 D521,512 S 5/2006 Kunzi et al.
 D526,916 S 8/2006 Oas
 D527,008 S 8/2006 Greenrod
 D541,228 S 4/2007 Thursfield
 D546,780 S 7/2007 Marchetto et al.
 D558,767 S 1/2008 Solland
 D561,022 S 2/2008 Terrasi
 D568,304 S * 5/2008 Park D14/240
 D578,711 S 10/2008 Burrow et al.
 D579,937 S 11/2008 Cohen
 D595,670 S 7/2009 Glassman et al.
 D595,734 S 7/2009 Son

D596,815 S 7/2009 Baek
 D597,524 S 8/2009 Jha
 D601,564 S 10/2009 Maeno
 D602,858 S 10/2009 Ellis et al.
 D602,915 S 10/2009 Song et al.
 D602,916 S 10/2009 Won et al.
 D606,973 S 12/2009 Jha
 D607,347 S 1/2010 Goh et al.
 D609,213 S * 2/2010 Yeo D14/203.1
 D610,479 S 2/2010 Shi
 D619,562 S 7/2010 Jha
 D625,879 S * 10/2010 Sabernig D26/106
 D626,147 S 10/2010 Goddard
 D627,306 S 11/2010 Charleux
 D628,190 S 11/2010 Jha
 D632,265 S 2/2011 Choi et al.
 D632,281 S 2/2011 Hoehn et al.
 D636,380 S 4/2011 Valeur
 D636,760 S 4/2011 Cheng
 D637,306 S 5/2011 Feuerabend et al.
 D643,412 S 8/2011 Brady et al.
 8,089,458 B2 1/2012 Barney et al.
 D654,866 S 2/2012 Rautiainen
 D656,034 S 3/2012 Wanders
 D664,932 S * 8/2012 Sedic D13/168
 D672,465 S 12/2012 Sherman
 D683,636 S 6/2013 Levanen
 D683,843 S 6/2013 Cudworth
 D685,790 S 7/2013 Tang
 D687,009 S 7/2013 Song et al.
 D695,258 S 12/2013 Hauser et al.
 D700,080 S 2/2014 Broadbent et al.
 D700,571 S 3/2014 Guccione et al.
 D700,904 S 3/2014 Miller et al.
 D705,509 S 5/2014 Liu et al.
 D717,674 S 11/2014 Vu et al.
 D719,165 S 12/2014 Hill et al.
 D724,060 S 3/2015 Ahn et al.
 D726,924 S 4/2015 Tseng et al.
 D729,773 S 5/2015 Salojarvi et al.
 D730,891 S 6/2015 Wang
 D731,334 S 6/2015 Fiedler et al.
 D731,579 S 6/2015 Bart et al.
 D732,033 S 6/2015 Sakaguchi
 D738,376 S 9/2015 Sakaguchi
 D743,645 S 11/2015 Lee
 9,189,090 B2 11/2015 Tanaka
 9,218,055 B2 12/2015 Sakaguchi et al.
 D746,886 S 1/2016 Breazeal et al.
 D747,984 S 1/2016 Zhao et al.
 D751,538 S * 3/2016 Koehler D14/240
 D752,531 S 3/2016 Xu et al.
 D755,750 S 5/2016 Chen
 D756,955 S 5/2016 Wagner
 D763,967 S 8/2016 Kujawski et al.
 D768,114 S 10/2016 Hou et al.
 D769,846 S 10/2016 Hong et al.
 D770,417 S 11/2016 Chen
 D773,947 S 12/2016 Scarcella et al.
 D774,717 S 12/2016 Choi et al.
 D775,233 S * 12/2016 Beck D14/496
 D776,820 S 1/2017 Rouillac et al.
 D777,331 S 1/2017 Jayalath et al.
 D778,871 S 2/2017 Corval
 D778,876 S 2/2017 Zhang
 D778,878 S 2/2017 De Vaal
 D783,838 S 4/2017 Zhao et al.
 D786,252 S 5/2017 Fauvel et al.
 D800,653 S 10/2017 Smiedt et al.
 9,830,005 B2 11/2017 Sakaguchi et al.
 D806,711 S 1/2018 Sakaguchi et al.
 D809,951 S * 2/2018 Yang D10/104.1
 D810,263 S * 2/2018 Lu D23/366
 D813,761 S * 3/2018 Balaesque D12/174
 D815,292 S * 4/2018 Goldman D24/186
 9,946,351 B2 4/2018 Sakaguchi et al.
 D831,189 S 10/2018 Fang et al.
 D834,560 S 11/2018 Hardi
 D843,234 S * 3/2019 Naslund D10/49

(56)

References Cited

U.S. PATENT DOCUMENTS

10,222,875 B2 3/2019 Sakaguchi et al.
D844,593 S 4/2019 Bould et al.
D848,405 S 5/2019 Bould et al.
D849,704 S * 5/2019 Kim D14/137
D851,526 S * 6/2019 Lee D10/101
D853,382 S * 7/2019 Haigh D14/358
D856,287 S * 8/2019 Chen D13/168
D856,289 S * 8/2019 Bould D13/168
D858,463 S * 9/2019 Nien D13/168
D860,198 S * 9/2019 Engwall D14/356
D860,202 S * 9/2019 Costa D14/388
D861,644 S * 10/2019 Sohn D14/218
D863,258 S * 10/2019 Song D14/218
D864,930 S * 10/2019 Bould D14/240
D864,961 S * 10/2019 Sakaguchi D14/388
D866,553 S * 11/2019 Miura D14/388
D867,339 S * 11/2019 Afshar Bakooshli D14/218
D867,340 S * 11/2019 Afshar Bakooshli D14/218
D867,341 S * 11/2019 Afshar Bakooshli D14/218
D867,342 S * 11/2019 Afshar Bakooshli D14/218
D867,343 S * 11/2019 Afshar Bakooshli D14/218
D867,344 S * 11/2019 Afshar Bakooshli D14/218
D868,036 S * 11/2019 Sohn D14/218
D868,603 S * 12/2019 Yin D10/53
D870,797 S * 12/2019 Lee D16/230
D870,896 S * 12/2019 Komaki D24/186
D877,149 S * 3/2020 Johnston D14/388
D877,344 S * 3/2020 Munger D24/186
D878,325 S * 3/2020 Paterson D14/203.1
D879,053 S * 3/2020 Yu D13/168
D882,432 S * 4/2020 Yee A61B 5/72
D886,767 S * 6/2020 Matarese D14/204
D886,795 S * 6/2020 Tak D14/204
D890,752 S * 7/2020 Huang D14/358
D897,543 S * 9/2020 Jones D24/187
D900,812 S * 11/2020 Friedman D14/357
D900,821 S * 11/2020 Johnston D14/388
D901,431 S * 11/2020 Paterson D14/203.1
D907,590 S * 1/2021 Bould D13/168
D908,895 S * 1/2021 Deriso D24/186
D909,994 S * 2/2021 Bristol D14/218
D920,944 S * 6/2021 Paterson D14/203.1
D920,948 S * 6/2021 Tak D14/204
D928,329 S * 8/2021 Huang D24/186
2002/0055383 A1 5/2002 Onda et al.
2002/0135618 A1 9/2002 Maes et al.
2004/0250218 A1 12/2004 Wecker et al.
2006/0028429 A1 2/2006 Kanevsky et al.
2007/0135689 A1 6/2007 Asukai et al.

2007/0247439 A1 10/2007 Daniel et al.
2008/0096533 A1 4/2008 Manfredi et al.
2009/0021380 A1 1/2009 Higuchi et al.
2010/0123588 A1 5/2010 Hernandez
2010/0144436 A1 6/2010 Marks et al.
2011/0304648 A1 12/2011 Kim et al.
2012/0062483 A1 3/2012 Ciesla et al.
2012/0249466 A1 10/2012 Ito et al.
2012/0280917 A1 11/2012 Toksvig et al.
2013/0063611 A1 3/2013 Papakipos et al.
2014/0013417 A1 1/2014 Sakai et al.
2014/0112556 A1 4/2014 Kalinli-Akbacak
2014/0139466 A1 5/2014 Sakaguchi et al.
2014/0285435 A1 9/2014 Bezos
2014/0324749 A1 10/2014 Peters et al.
2014/0379341 A1 12/2014 Seo et al.
2015/0026613 A1 1/2015 Kwon et al.
2015/0026647 A1 1/2015 Park et al.
2015/0268737 A1 9/2015 Gelfond et al.
2016/0062496 A1 3/2016 Sakaguchi et al.
2016/0246373 A1 8/2016 Sakaguchi et al.
2017/0168595 A1 6/2017 Sakaguchi et al.
2018/0203512 A1 7/2018 Sakaguchi et al.

FOREIGN PATENT DOCUMENTS

JP 2001-025984 A 1/2001
JP 2007034544 2/2007
JP 2007058844 3/2007
JP 2009026125 2/2009
JP 2012075089 4/2012
JP 2012509145 4/2012
KR 2009-0093286 9/2009
KR 2012-0092316 8/2012
WO 0237249 A2 5/2002
WO 2007034388 A2 3/2007
WO 2009036327 A1 3/2009
WO 2013055380 A1 4/2013
WO 2014081813 A1 5/2014
WO 2016137797 A1 9/2016
WO 2017100641 A1 6/2017

OTHER PUBLICATIONS

First Office Action for JP Application No. 2017-002177, dated Jul. 25, 2017.
U.S. Appl. No. 29/631,425, entitled "Portable Electronic Device", filed Dec. 29, 2017.
JP Office Action for JP appl. 2016-012586 dated Nov. 8, 2016.
Cai, Yang, "Empathic Computing", Ambient Intelligence in Everyday Life, LNAI 3864, Jan. 2006, 67-95.

* cited by examiner

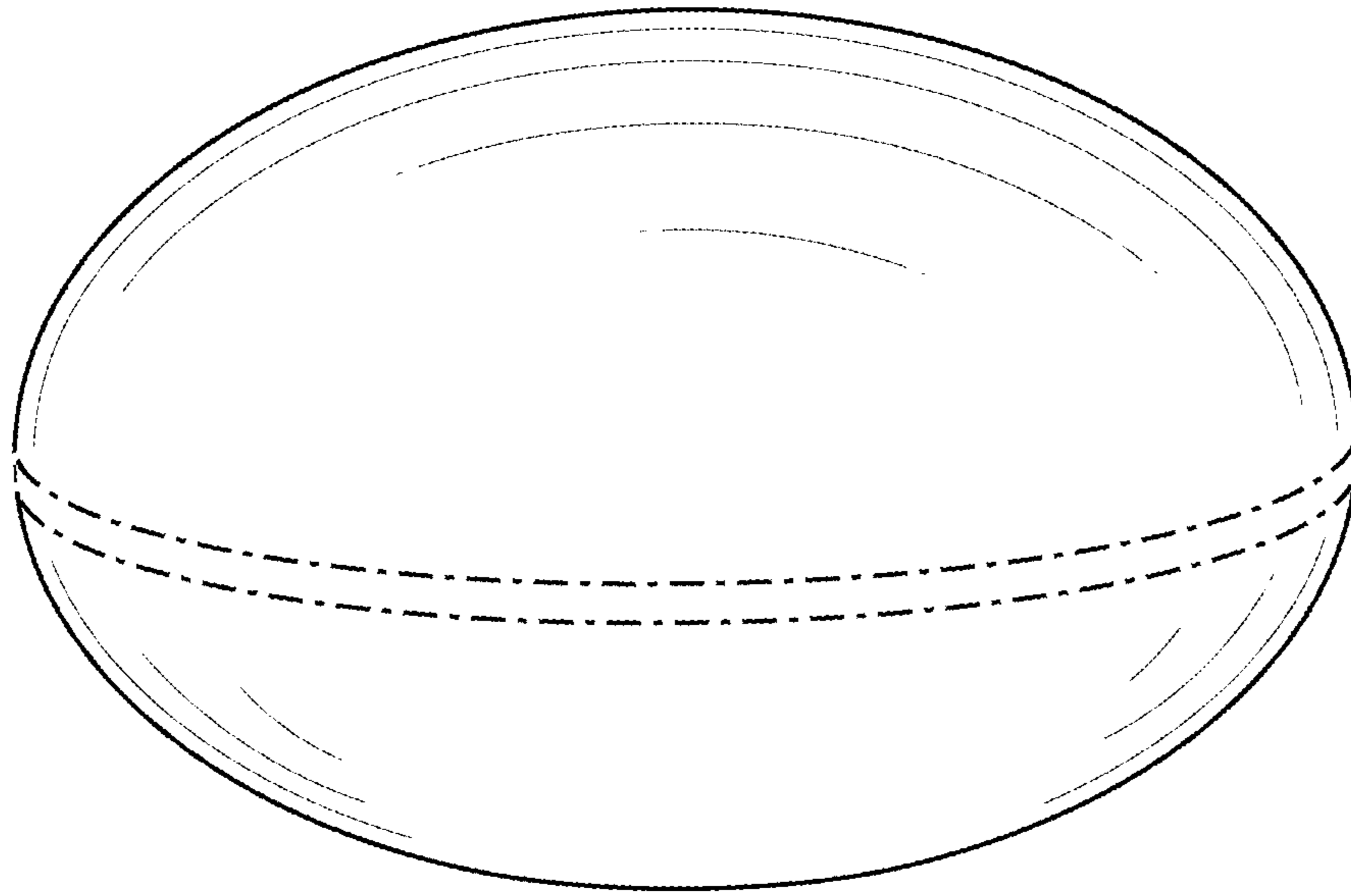


FIG. 1

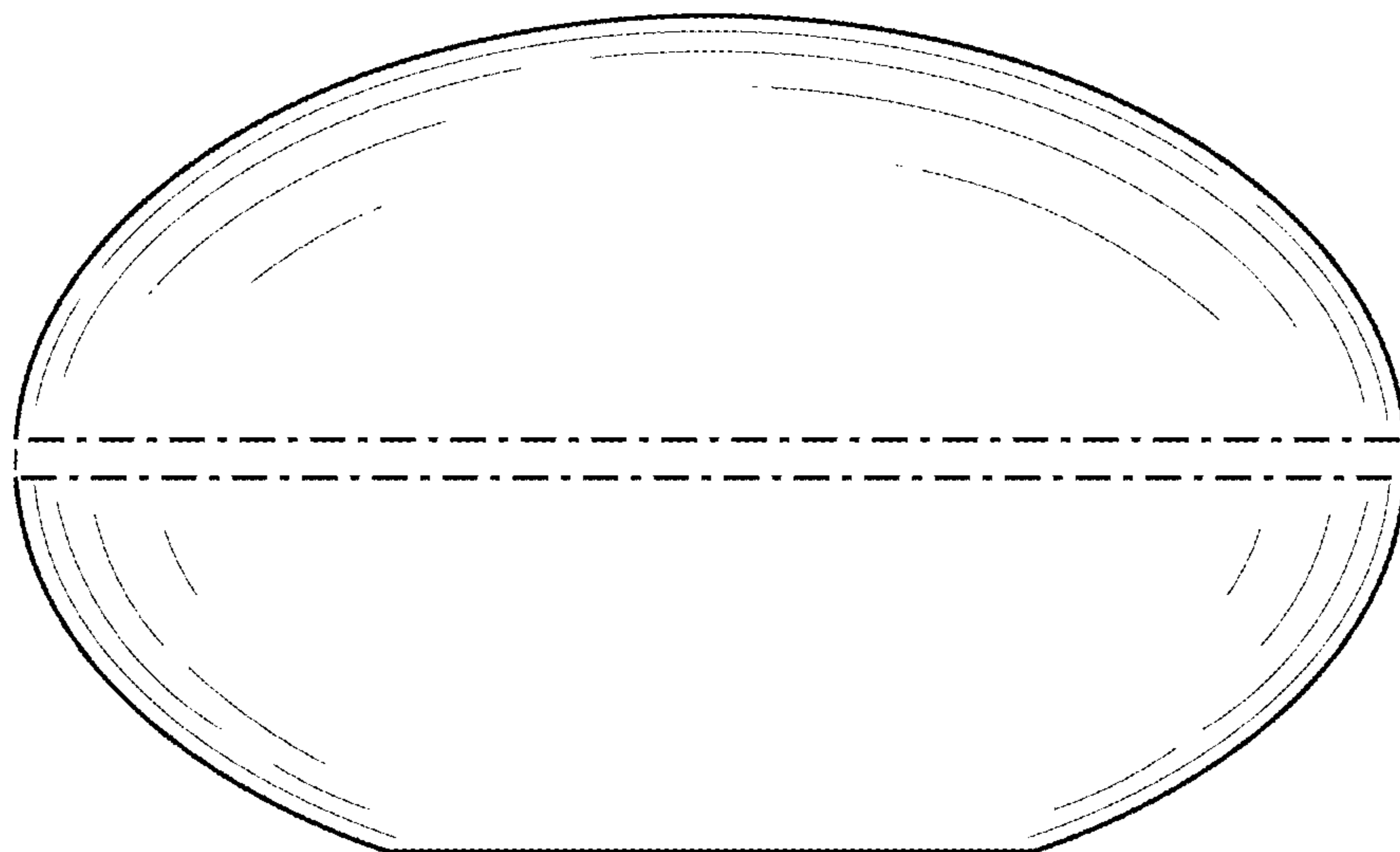


FIG. 2

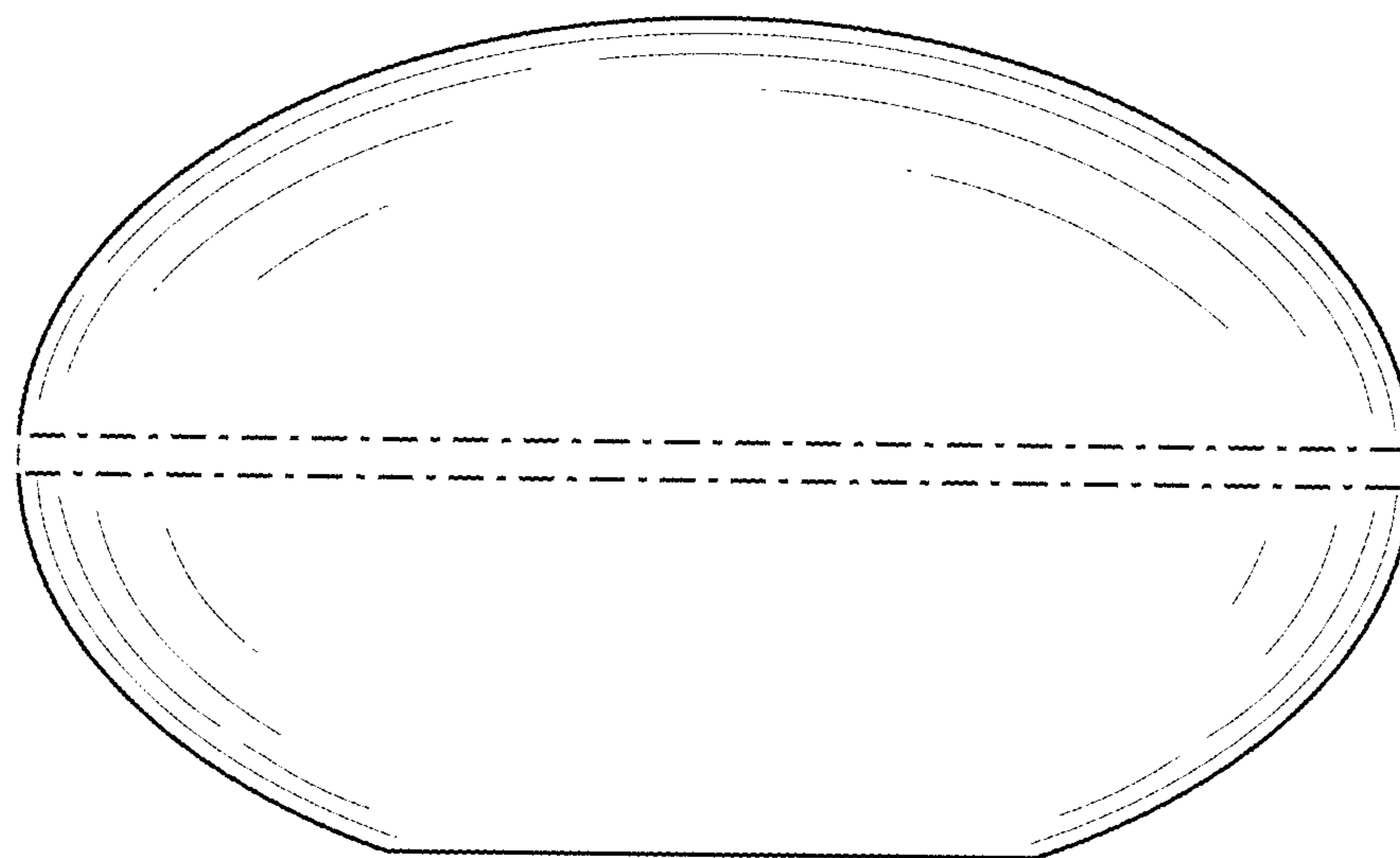


FIG. 3

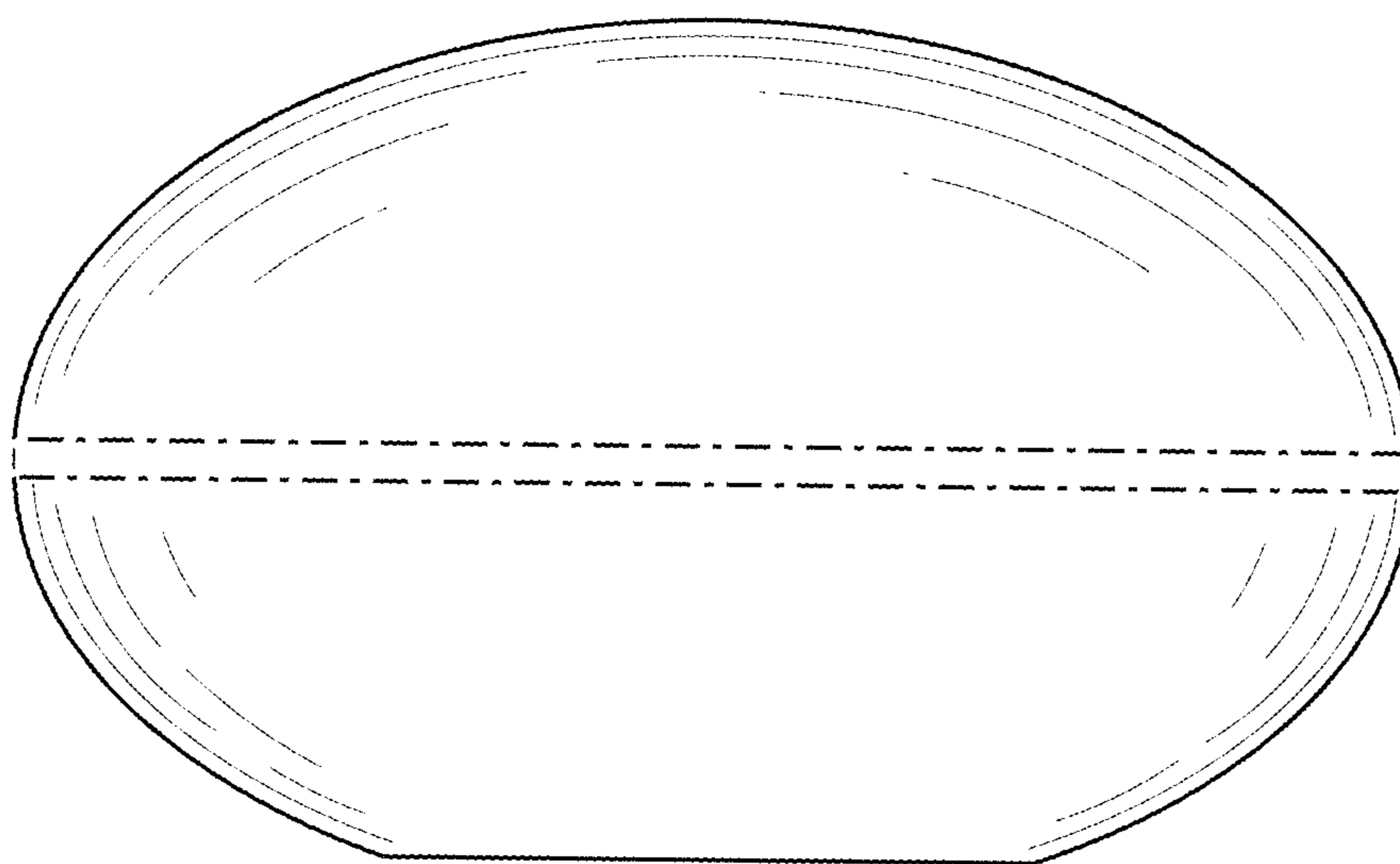


FIG. 4

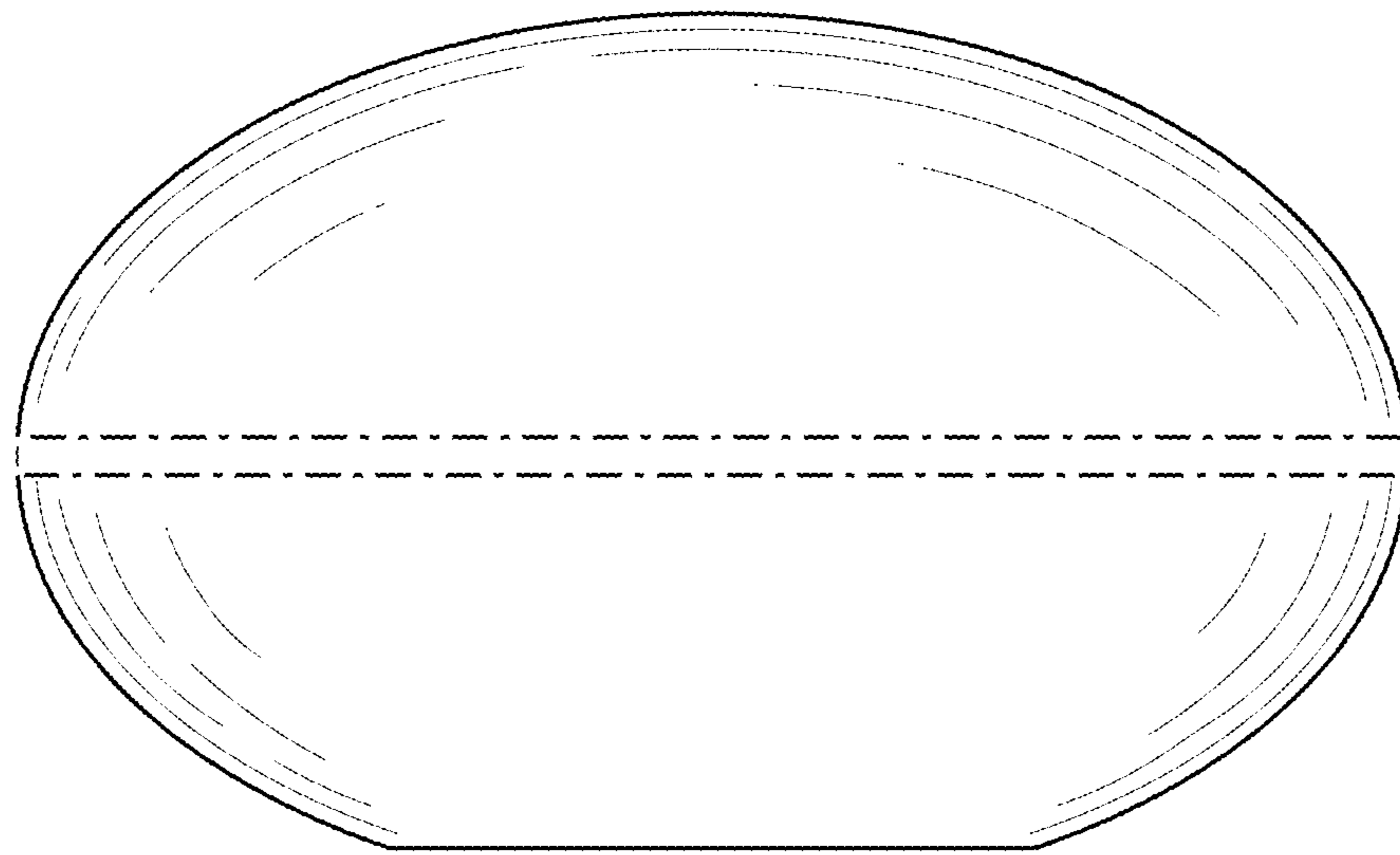


FIG. 5



FIG. 6

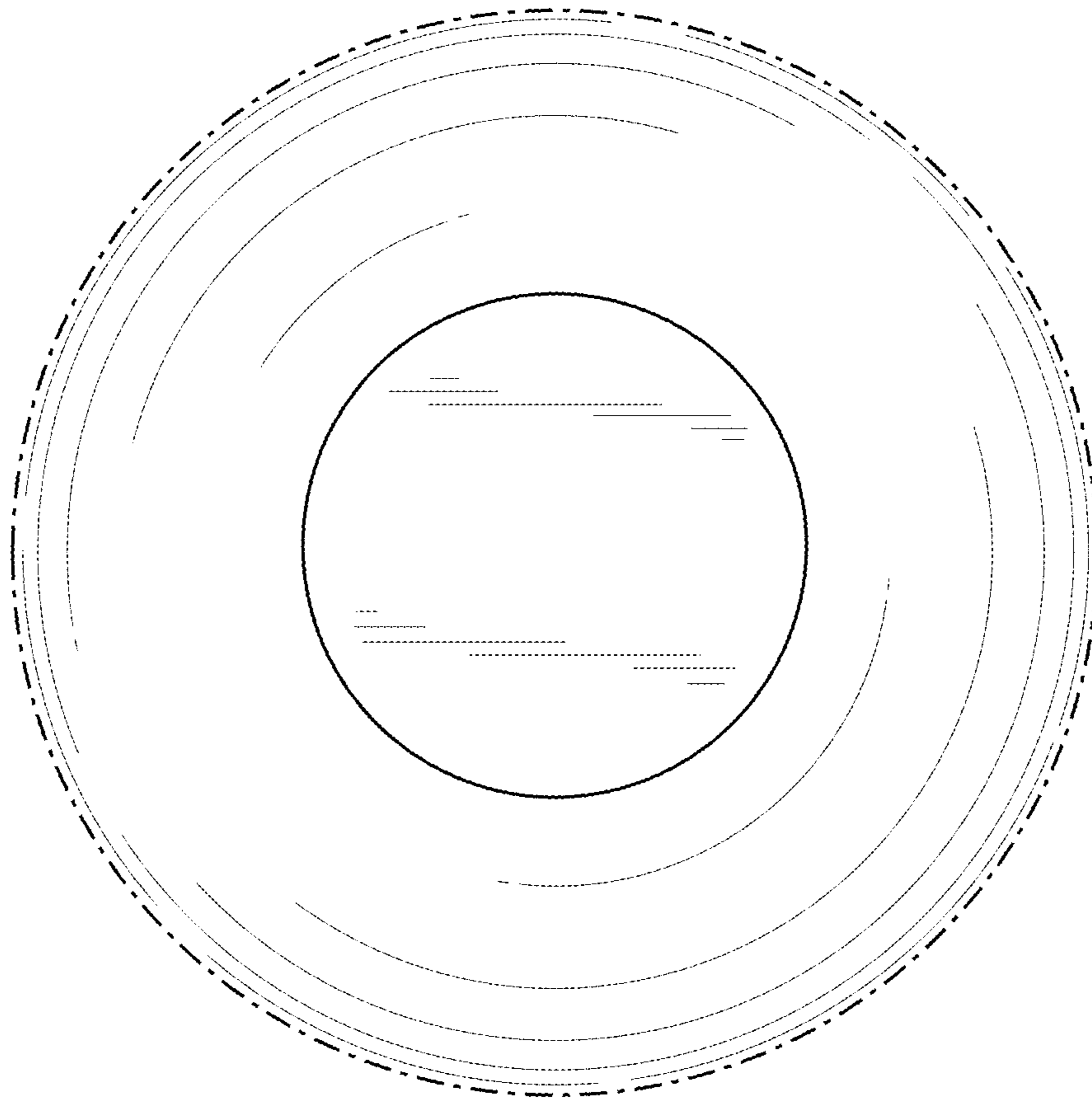


FIG. 7